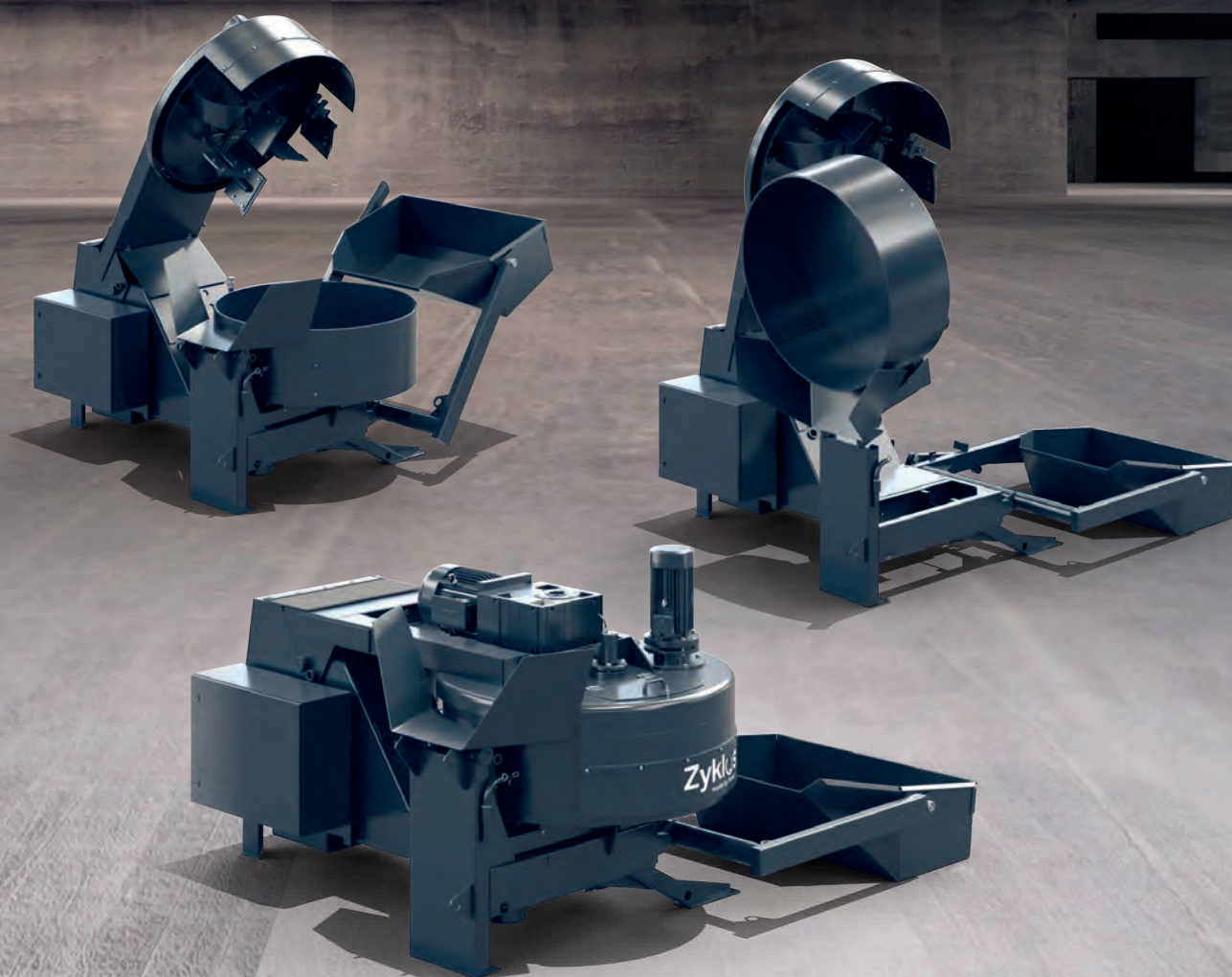


ZK 250 HE

Technical details

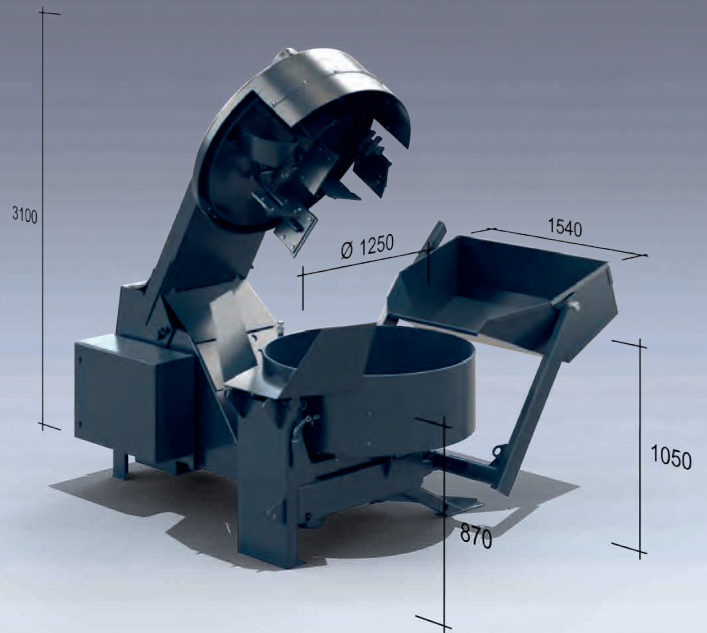
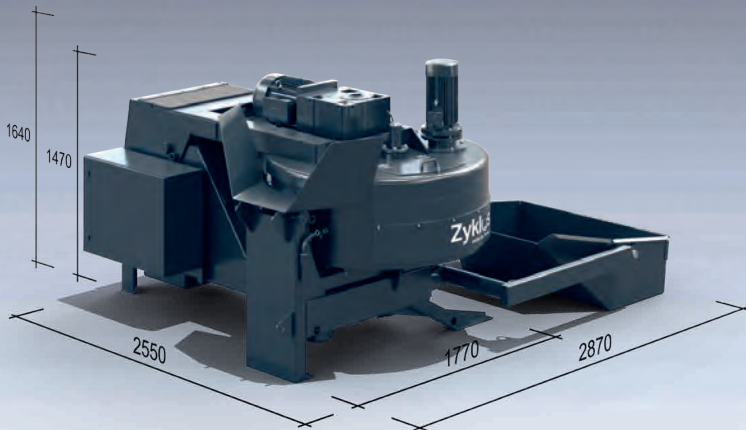
Zyklus
made by Pemat



ZK 250 HE

Zyklus Rotating Pan Mixer

Zyklus
made by Pemat



ZK 250 HE

Zyklus Rotating Pan Mixer from Pemat

Technical details

Batch capacity (standard concrete) ready-mix approx. l	250
Dry Filling (max.) approx. l / kg	365 / 400
Mixing pan diameter mm	1.250
Mixing pan design	hydraulically tiltable
Tilting arm design	hydraulically
Skip design	hydraulically
Power mixing star kW	7,5
Power hydraulic kW	3
Power mixing pan kW	1,5 (optional)
Power tiltable mixing pan kW	–
Pneumatic	–
Voltage V	400
Frequency Hz	50
Weight approx. kg	1.400