

ZK 375 HE

Technical details

Zyklus
made by Pemat

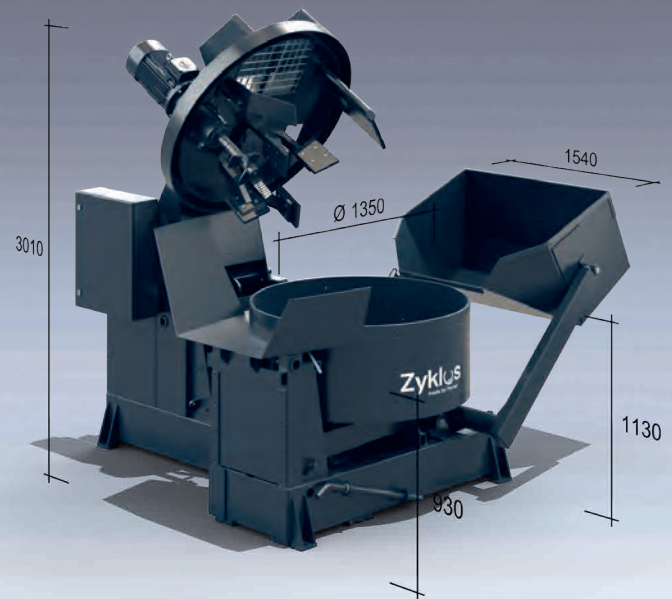
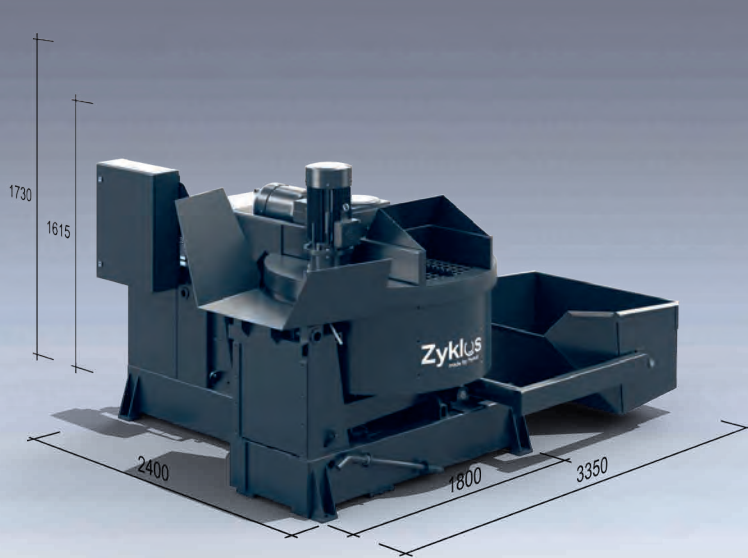


Zyklus Rotating Pan Mixer from Pemat

ZK 375 HE

Zyklus Rotating Pan Mixer

Zyklus
made by Pemat



ZK 375 HE

Zyklus Rotating Pan Mixer from Pemat

Technical details

Batch capacity (standard concrete) ready-mix approx. l	375
Dry Filling (max.) approx. l / kg	500 / 600
Mixing pan diameter mm	1.334
Mixing pan design	hydraulically tiltable
Tilting arm design	hydraulically
Skip design	hydraulically
Power mixing star kW	11
Power hydraulic kW	4
Power mixing pan kW	3
Power tiltable mixing pan kW	–
Pneumatic	–
Voltage V	400
Frequency Hz	50
Weight approx. kg	3.000